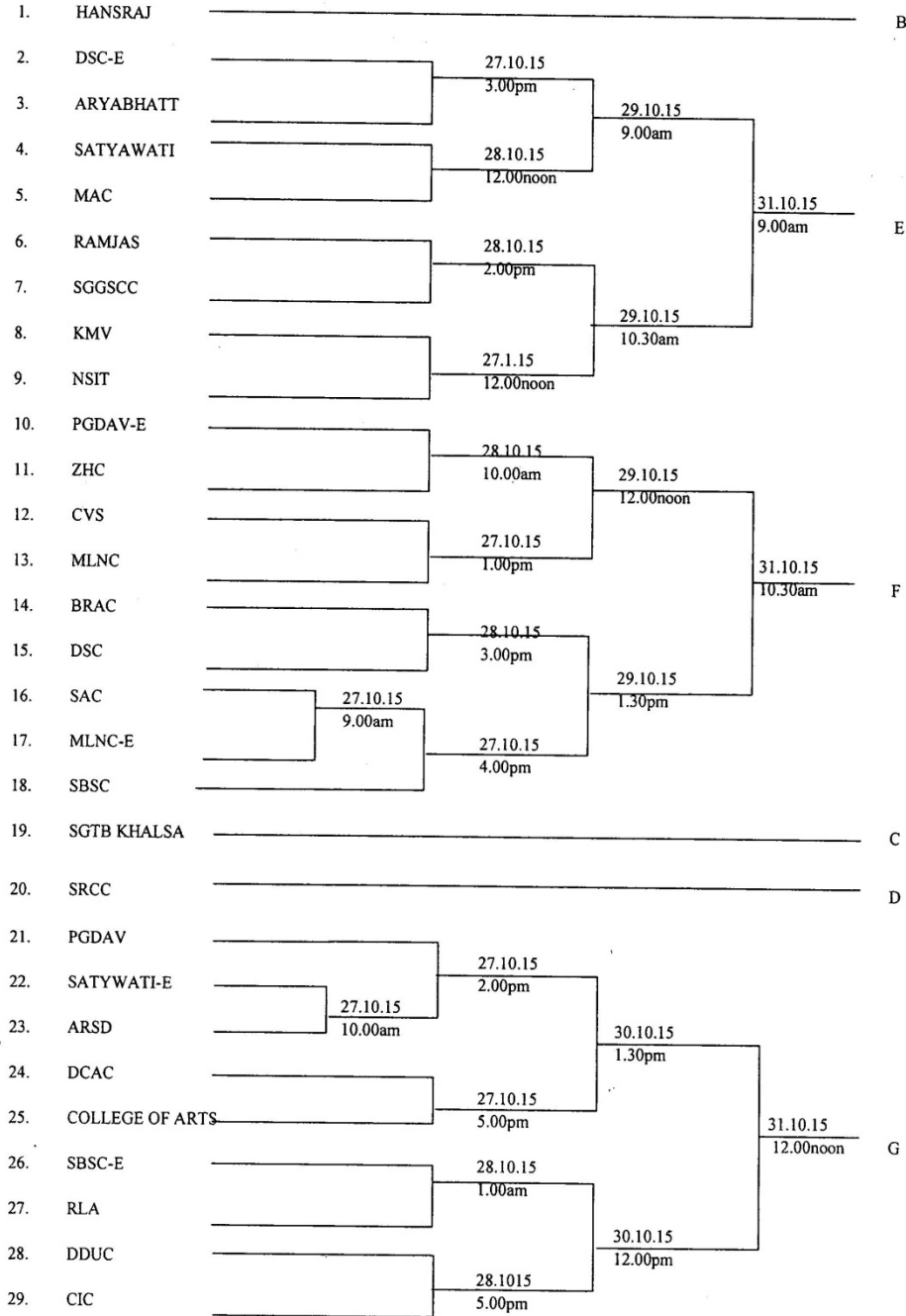
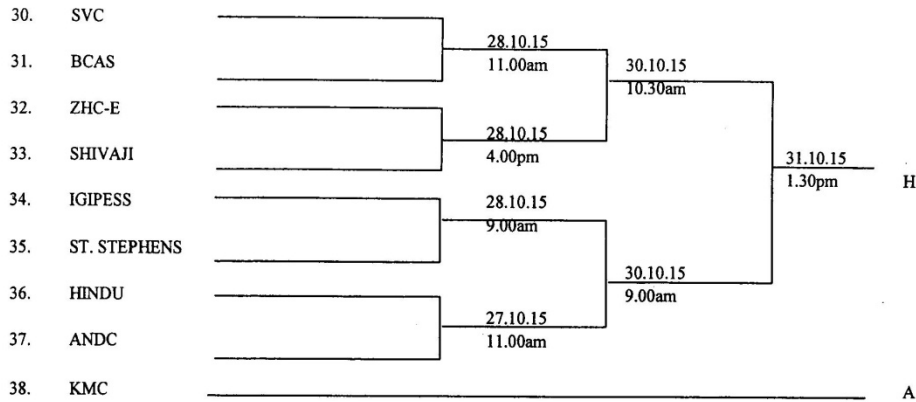


**Delhi University Sports Council
University of Delhi**

DUSC / IC (M) / 2015 / 487
Dated: 12.10.15

Fixture Inter College Basketball (M) Tournament 2015-16





League Matches

Group-I

Timing	<u>2.11.15</u>	<u>3.11.15</u>	<u>4.11.15</u>
9.00am	B V/s E	B V/s F	E V/s F
10.30am	C V/s F	C V/s E	B V/s C

Group-II

12.00noon	A V/s H	A V/s G	G V/s H
1.30pm	D V/s G	D V/s H	A V/s D

5.11.15

10.00am	Winner of Group-I	V/s	Runners up of Group-II
11.30am	Winner of Group-II	V/s	Runners up of Group-I

6.11.15

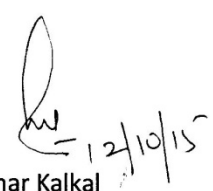
10.00am	Third Place Match
11.30am.	Final Match

Venue: Multipurpose Hall, University of Delhi

Note : For Selection trails, contact Convenor for details

Tournament Committee:-

Dr. Benu Gupta (9810569660)	Convenor	Kirorimal College
Dr. Anek Goel		Deen Dayal Upadhaya College
Dr. Anita Ghosh		Aditi Mahavidyalaya
Dr. M.P. Sharma		Hansraj College


 Dr. Anil Kumar Kalkal
 Director, Physical Education & Sports